

darglow

MARINE ENGINEERS



HYDROAXE FIXED BLADE SHAFT DRIVE SLIDE-ON ROPE CUTTER

FITTING INSTRUCTIONS

TOOLS YOU WILL NEED FOR HYDROAXE FITTING:

- Power drill
- 5mm metal drill bit
- 3mm allen key
- Wire brush/scotchbrite

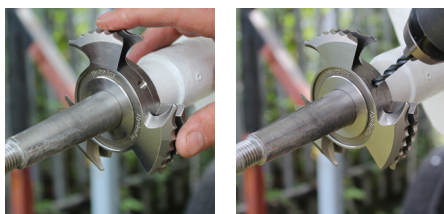


HYDROAXE POSITIONING

- Leave a minimum gap of 5mm between cutlass bearing and rope cutter to allow lubrication of bearing and movement of shaft inboard when under motor.
- Leave a minimum gap of 1-2mm between rope cutter and propeller for feathering propellers. Fixed and folding propellers will allow cutter to be secured up against propeller hub if necessary.

HYDROAXE FITTING INSTRUCTIONS

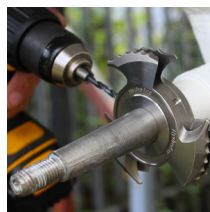
1. Remove propeller from shaft and clean cutter area using a wire brush or scotchbrite ensuring contact area is free from marine fouling.
2. Cutter has three holes in hub. 2 X threaded holes and 1 blank hole. Blank hole is your guide/jig that you will use to drill your dimples in shaft.
3. Position cutter and using a 5mm drill bit make your first dimple in shaft using hole 'guide' (roughly the size of grub screw end).



4. Rotate cutter 1/3rd of a turn and tighten one of the grub screws into dimple in shaft using one of the threaded holes.



5. Using the hole 'guide' and 5mm drill bit make your second dimple in shaft (roughly the size of grub screw end).

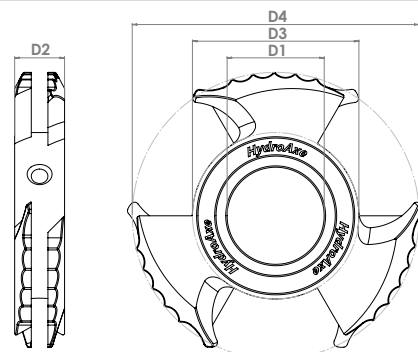


6. Now remove first grub screw, rotate rope cutter 1/3rd of a turn and you can now secure both grub screws into shaft dimples. Secure grub screws using thread locker and 5mm allen key.



HYDROAXE DIMENSIONS

- D1 = SHAFT DIAMETER
- D2 = 18mm
- D3 = 60mm
- D4 = 105mm



darglow.com

